



GB

NX-SW70

Subwoofer/Rear Speakers
Enceinte a caisson de grave/
Enceintes arrières



OWNER'S MANUAL
MODE D'EMPLOI
BEDIENUNGSANLEITUNG
BRUKSANVISNING
MANUALE DI ISTRUZIONI
MANUAL DE INSTRUCCIONES
GEBRUIKSAANWIJZING

CAUTION: READ THIS BEFORE OPERATING YOUR UNIT.

1. To assure the finest performance, please read this manual carefully. Keep it in a safe place for future reference.
2. Install the speakers in a cool, dry, clean place — away from windows, heat sources, sources of excessive vibration, dust, moisture and cold. Avoid sources of humming (transformers, motors). To prevent fire or electrical shock, do not expose the speakers to rain or water.
3. To prevent the enclosure from warping or discoloring, do not place the speakers where they will be exposed to direct sunlight or excessive humidity.
4. Do not place the speakers where they are liable to be knocked over or struck by falling objects. Stable placement will also ensure better sound performance.
5. Placing the speakers on the same shelf or rack as the turntable can result in feedback.
6. As these speakers contain strong magnets (though all of them are magnetically shielded types), avoid placing watches, magnetic tapes, etc. near them. Also, placing the speakers near a TV set may impair picture color. If this happens, move the speakers away from the TV set.
7. Do not attempt to clean the speakers with chemical solvents as this might damage the finish. Use a clean, dry cloth.
8. Be sure to read the “TROUBLESHOOTING” section regarding common operating errors before concluding that the unit is faulty.
9. Secure placement or installation is the owner’s responsibility. YAMAHA shall not be liable for any accident caused by improper placement or installation of speakers.

■ For U.K. customers

If the socket outlets in the home are not suitable for the plug supplied with this appliance, it should be cut off and an appropriate 3 pin plug fitted. For details, refer to the instructions described below.

Note

- The plug severed from the mains lead must be destroyed, as a plug with bared flexible cord is hazardous if engaged in a live socket outlet.

■ Special Instructions for U.K. Model

IMPORTANT

THE WIRES IN MAINS LEAD ARE COLOURED IN ACCORDANCE WITH THE FOLLOWING CODE:

Blue: NEUTRAL

Brown: LIVE

As the colours of the wires in the mains lead of this apparatus may not correspond with the coloured markings identifying the terminals in your plug, proceed as follows: The wire which is coloured BLUE must be connected to the terminal which is marked with the letter N or coloured BLACK. The wire which is coloured BROWN must be connected to the terminal which is marked with the letter L or coloured RED. Making sure that neither core is connected to the earth terminal of the three pin plug.

■ For SW-AVS70

1. Never open the cabinet. If something drops into the set, contact your dealer.
2. Do not use force on switches, controls or connection cables. When moving the unit, first disconnect the power cord and the cables connected to other components. Never pull the cables themselves.
3. When not planning to use this unit for a long period of time (e.g., vacation), disconnect the AC power cord from the wall outlet.
4. To prevent lightning damage, disconnect the AC power cord when there is an electric storm.
5. Since this unit has a built-in power amplifier, heat will radiate from the rear panel. Place the unit apart from the walls, allowing enough space above, behind and on the both sides of the unit to prevent fire or damage. Furthermore, do not position with the rear panel facing down the floor or other surfaces.
6. Super-bass frequencies reproduced by this unit may cause a turntable to generate a howling sound. In such a case, move this unit away from the turntable.
7. If you hear distorted noise (i.e., unnatural, intermittent “rapping” or “hammering” sounds) coming from this unit, reduce the volume level. Extremely loud playing of a movie soundtrack’s low frequency, bass-heavy sounds or similarly loud popular music passages can damage this speaker system.

WARNING

TO REDUCE THE RISK OF FIRE OR ELECTRIC SHOCK, DO NOT EXPOSE THIS UNIT TO RAIN OR MOISTURE.

FEATURES

● Home Theater Sound

Connecting this system to the AV-S70 (sold separately) allows you to enjoy the power of low bass sounds plus surround effects.

● Centralized Control with the AV-S70 (sold separately)


The AV-S70 is used to do things such as adjust the subwoofer level and adjust the speaker level using test tones. Refer to the AV-S70 (sold separately) owner's manual.

● Advanced YST

This subwoofer incorporates advanced YAMAHA Active Servo Technology to achieve superior bass reproduction.

CONTENTS

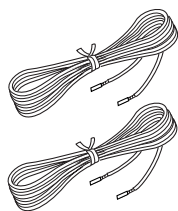
FEATURES	1
SPEAKER PLACEMENT	2
USING THE SPEAKER	
MOUNTING BRACKETS	3
CONNECTIONS	5
TROUBLESHOOTING	8
SPECIFICATIONS	9

 indicates a tip for your operation.

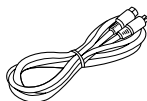
Checking the Package Contents

Check that the following accessories are included in the package.

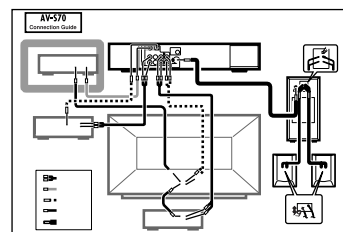
Speaker cords (15 m x 2)



System connector cable (3 m)

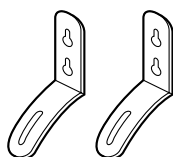


Connection guide

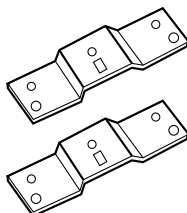


Speaker mounting brackets

Type A brackets (x 2) (wall brackets)



Type B brackets (x 2)



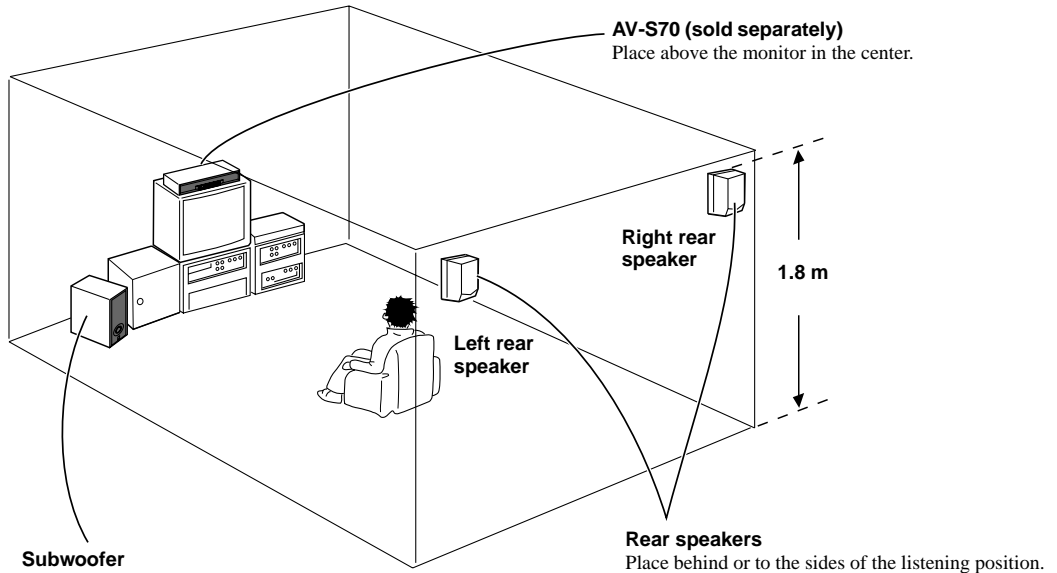
Screws (x 2)



Wing nuts (x 2)



SPEAKER PLACEMENT

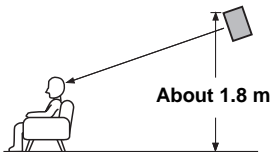


■ Subwoofer

Place the subwoofer at the either right or left side of the front speaker unit and facing slightly toward the center of the room so that the sound from it and the sound reflected by the wall should not cancel out each other. Try altering the position of the subwoofer versus the listening position as the relative position will affect the way the bass sounds.

■ Rear speakers

Depending on room conditions, it is possible to place rear speakers on shelves or hang them on the wall. Speakers should be placed about 1.8 m above the floor.



■ AV-S70 (sold separately)

Place the AV-S70 on top of the television and align the front surface of the speakers with the front surface of the television monitor. For details on placement, refer to the AV-S70 owner's manual.

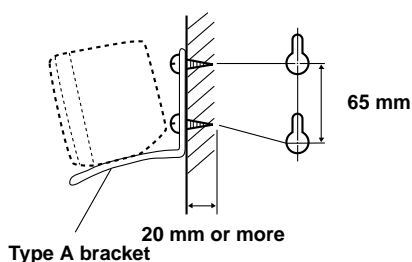
If the system cannot be placed on top of the television, place it on a rack beneath the television as close to the television monitor as possible.

USING THE SPEAKER MOUNTING BRACKETS

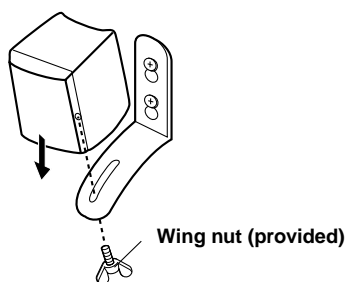
Use the provided type A wall brackets when hanging the rear speakers on a wall.

- 1 Attach two commercially available wood screws (diameter about 4 mm) in the location on the wall where the rear speaker is to be hung, and then mount the bracket on the wood screws.**

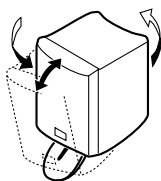
Check that the wood screws are secure inside the narrow portion of the holes in the bracket.



- 2 Attach the speaker to the bracket using the provided wing nut.**



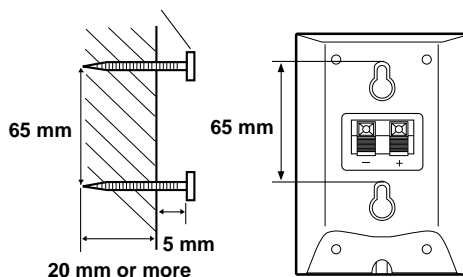
- 3 Adjust the angle of the speaker and then tighten the wing nut.**



- To mount speakers directly to the wall**

It is possible to hang the speakers directly on the wall without using the type A brackets by attaching two wood screws to the wall and then using the holes on the rear panel of the speakers for direct attachment.

Wood screws having a diameter of about 4 to 5 mm (commercially available)

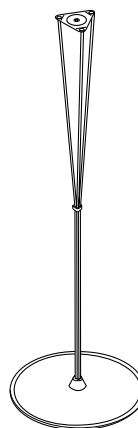


Note

- After mounting, check that the speakers are attached securely.

- YAMAHA speaker stand SPS-AV1 (sold separately)**

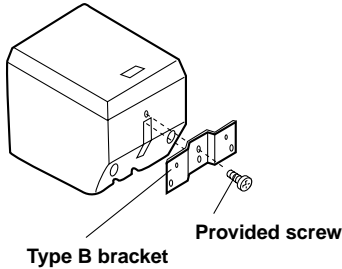
The rear speakers can also be attached to SPS-AV1 speaker stands and used as floor stand speakers.



Using Commercially Available Speaker Stands (distance between screw holes: 60 mm)

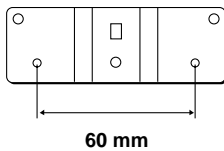
1 Attach the type B brackets to the bottom of the speakers using the provided screws.

Align so that the protrusion on the bracket goes into the groove on the bottom of the speaker.



2 Mount the speaker on the speaker stand using the bracket holes (spaced at 60 mm).

Be sure to ready the small screws (diameter: 4 mm, length: 8 mm), spring washers and washers.



CAUTION

Be sure to read these important precautions.

- Each speaker weighs approximately 0.7 kg. Select a firm wall or pillar to attach screws to. Do not attach screws to material such as mortar or veneer as screws may come loose easily, causing the speaker to fall.
- Do not mount speakers using nails or tape as vibrations during operation may cause nails to come loose or tape to peel off, causing the speaker to fall.
- Take care that the speaker cord is not pinched between the speaker and the bracket. Be sure that the speaker cord passes through the groove on the rear panel of the speaker.
- Secure the speaker cords so that they will not catch on hands or feet, causing speakers to drop.
- Be absolutely sure to check for safety after speakers are mounted. YAMAHA bears no responsibility for damage caused due to improper installation or installation in an improper location.

CONNECTIONS

CAUTION

Always be sure to turn off the power of any component to be connected when making connections.

To ensure proper connections

- After connections have been made, check one more time that wiring has been made properly.

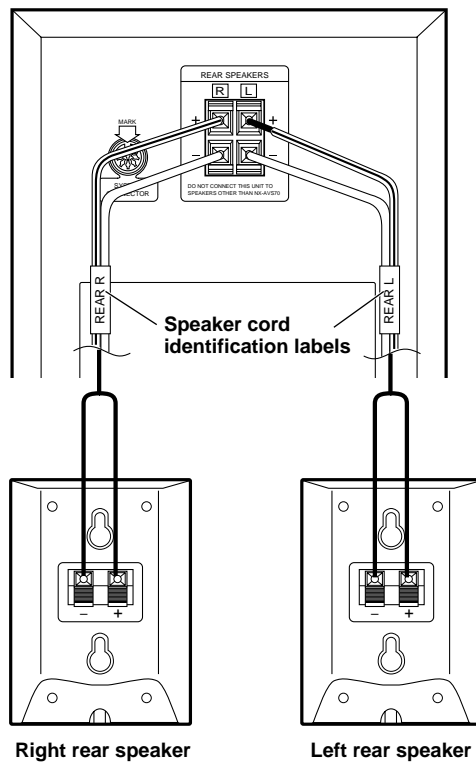
Connecting the Rear Speakers to the Subwoofer

Note

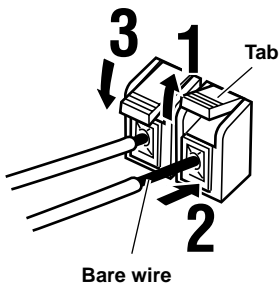
- Do not connect any speakers to the speaker terminals on the subwoofer except for provided rear speakers (NX-AVS70). Damage may result if a different speaker is connected.



Remove the plastic insulation from the ends of the speaker cords and twist the bare wires. (The bare wire will stay neat if you twist while removing the plastic insulation.)



■ Connect the speaker cords to the speaker terminals on the subwoofer.



1 Hold up the tab for the + terminal (red), or hold down the tab for the – terminal (black).

2 Insert the bare wire of the speaker cord into the hole.

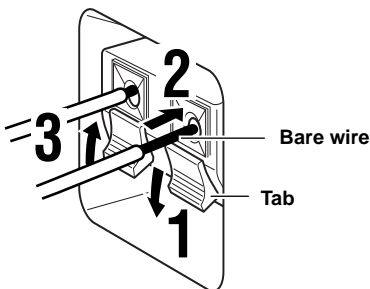
3 Release the tab.

- Connect the line-in cord to the + terminal (red), and the other cord to the – terminal (black).
- Once connected, pull gently on the speaker cords to check that they are connected securely.

CAUTION

- Do not let the bare speaker wire touch each other and do not let them touch any metal part of the speakers. This could damage the speakers.
- Do not mistakenly connect plus (+) to minus (–) or vice versa when connecting speaker cords.
- Insert the speaker cords securely so that plus (+) and minus (–) do not short. The speaker may not output any sound or may output noise, causing damage to the speakers, if speaker cords are not inserted securely.
- Only insert the bare wire portion of the speaker cords into the holes. Sound will not be output if you insert as far as the plastic insulation part of the cord.
- Secure the speaker cords so that they will not catch on hands or feet.

■ Connect the speaker cords to the speaker terminals on the rear speakers.



1 Hold down the tab.

2 Insert the bare wire of the speaker cord into the hole.

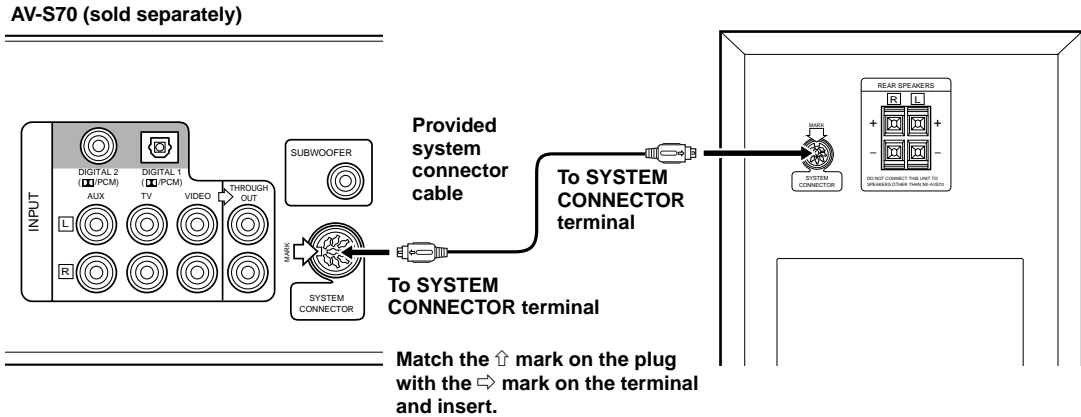
3 Release the tab. (The tab will return to its original position when you release your finger.)

- Connect the line-in cord to the + terminals (red) on the right, and the other cord to the – terminals (black) on the left.
- Once connected, pull gently on the speaker cords to check that they are connected securely.

Connecting the Subwoofer to the AV-S70

Connect the SYSTEM CONNECTOR terminal on the AV-S70 (sold separately) to the SYSTEM CONNECTOR terminal on the subwoofer using the system connector cable.

Match the ↑ mark on the plugs with those on the terminals and insert the plugs.



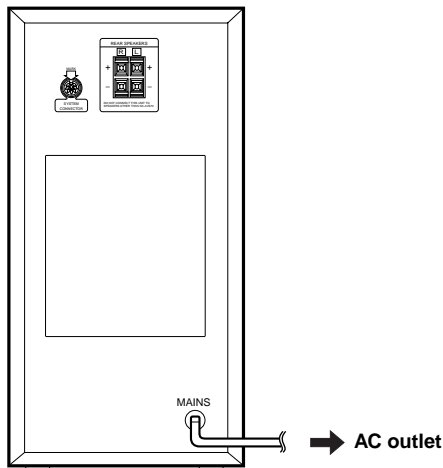
Note

- Do not scratch, forcibly bend, or pull the system connector cable as this may damage the cable, causing loss of audio output, and possibly result in fire or electric shock. Take particular care that the cable is not squashed by a rack or caster.



Turning off the power of the AV-S70 will also turn off the power on the subwoofer.

Connecting the AC Power Supply Cord



Once all connections have been made, check them one more time. Finally, insert the plug of the AC power supply cord of the subwoofer into an AC outlet.

TROUBLESHOOTING

Be sure to investigate thoroughly before requesting repairs or after service. If it cannot be corrected, or if the problem is not listed in the SYMPTOM column, disconnect the power cord and connect your authorized YAMAHA dealer or service center.

Notes

- Sometimes the system may cease to recognize operations due to a mistaken operation or as a result of strong external noise (such as irregular voltage due to shock of impact, excessive static electricity, or lightning strike). If this happens, first disconnect the power cord, wait about 30 seconds, re-connect the power cord, and try the desired operation again.
- When requesting repairs or after service, be sure to bring along with the AV-S70 (sold separately).

SYMPTOM	CHECK	Refer to page
No sound output at all.	• Is the AC power supply cord connected?	7
	• Has the AV-S70's audio temporarily been lowered? Refer to the owner's manual for the AV-S70 (sold separately).	—
	• Is the input source to the AV-S70 correctly? Refer to the owner's manual for the AV-S70 (sold separately).	—
No sound output from subwoofer.	• Is the system connector cable connected correctly?	7
	• Is the subwoofer level of the AV-S70 set too low? Refer to the owner's manual for the AV-S70 (sold separately).	—
No sound output from rear speakers.	• Are the speaker cords connected correctly?	5, 6
	• Is the rear speaker level of the AV-S70 set too low for the test tone? Refer to the owner's manual for the AV-S70 (sold separately).	—
	• Has VIRTUAL SURROUND been selected as the DSP program on the AV-S70? Refer to the owner's manual for the AV-S70 (sold separately).	—
	• Is DOLBY PRO LOGIC or DOLBY PRO LOGIC ENHANCED being used as the DSP program with a monaural source? Refer to the owner's manual for the AV-S70 (sold separately).	—
A "humming" noise is present.	• Hum caused by external electromagnetic waves may be generated. Try inverting the right-left polarity of the power cord and re-insert into the AC outlet.	7

SPECIFICATIONS

Amplifier Section

Rated Output

Subwoofer 50 W (100 Hz, 10% THD, 4 ohms)

Rear speakers 30 W x 2 (1 kHz, 10% THD, 6 ohms)

Subwoofer (SW-AVS70)

Type Advanced YAMAHA Active Servo Technology System

Speaker 16-cm cone, magnetically shielded

Maximum Input Power 50 W

Impedance 4 ohms

Dimensions (W x H x D) 200 x 395 x 399 mm

Weight 9.7 kg

Rear Speakers (NX-AVS70)

Type Acoustic suspension type

Speakers 8-cm cone, magnetically shielded

Maximum Input Power 30 W

Impedance 6 ohms

Dimensions (W x H x D) 100 x 140 x 113 mm

Weight 0.7 kg

General

Power Supply AC 230 V, 50 Hz

Power Consumption 80 W

Accessories Speaker cords (15 m x 2)

..... System connector cable (3 m)

..... Connection guide

Parts for speaker installation Type A brackets (x 2)

..... Type B brackets (x 2)

..... Screws (x 2)

..... Wing nuts (x 2)

Specifications are subject to change without notice.



YAMAHA ELECTRONICS CORPORATION, USA 6660 ORANGETHORPE AVE., BUENA PARK, CALIF. 90620, U.S.A.
YAMAHA CANADA MUSIC LTD. 135 MILNER AVE., SCARBOROUGH, ONTARIO M1S 3R1, CANADA
YAMAHA ELECTRONIK EUROPA G.m.b.H. SIEMENSSTR. 22-34, 25462 RELLINGEN BEI HAMBURG, F.R. OF GERMANY
YAMAHA ELECTRONIQUE FRANCE S.A. RUE AMBROISE CROIZAT BP70 CROISSY-BEAUBOURG 77312 MARNE-LA-VALLEE CEDEX02, FRANCE
YAMAHA ELECTRONICS (UK) LTD, YAMAHA HOUSE, 200 RICKMANSWORTH ROAD WATFORD, HERTS WD1 7JS, ENGLAND
YAMAHA SCANDINAVIA A.B. J A WETTERGRENS GATA 1, BOX 30053, 400 43 VÄSTRA FRÖLUNDA, SWEDEN
YAMAHA MUSIC AUSTRALIA PTY, LTD. 17-33 MARKET ST., SOUTH MELBOURNE, 3205 VIC., AUSTRALIA

YAMAHA CORPORATION
Printed in China ID V586150

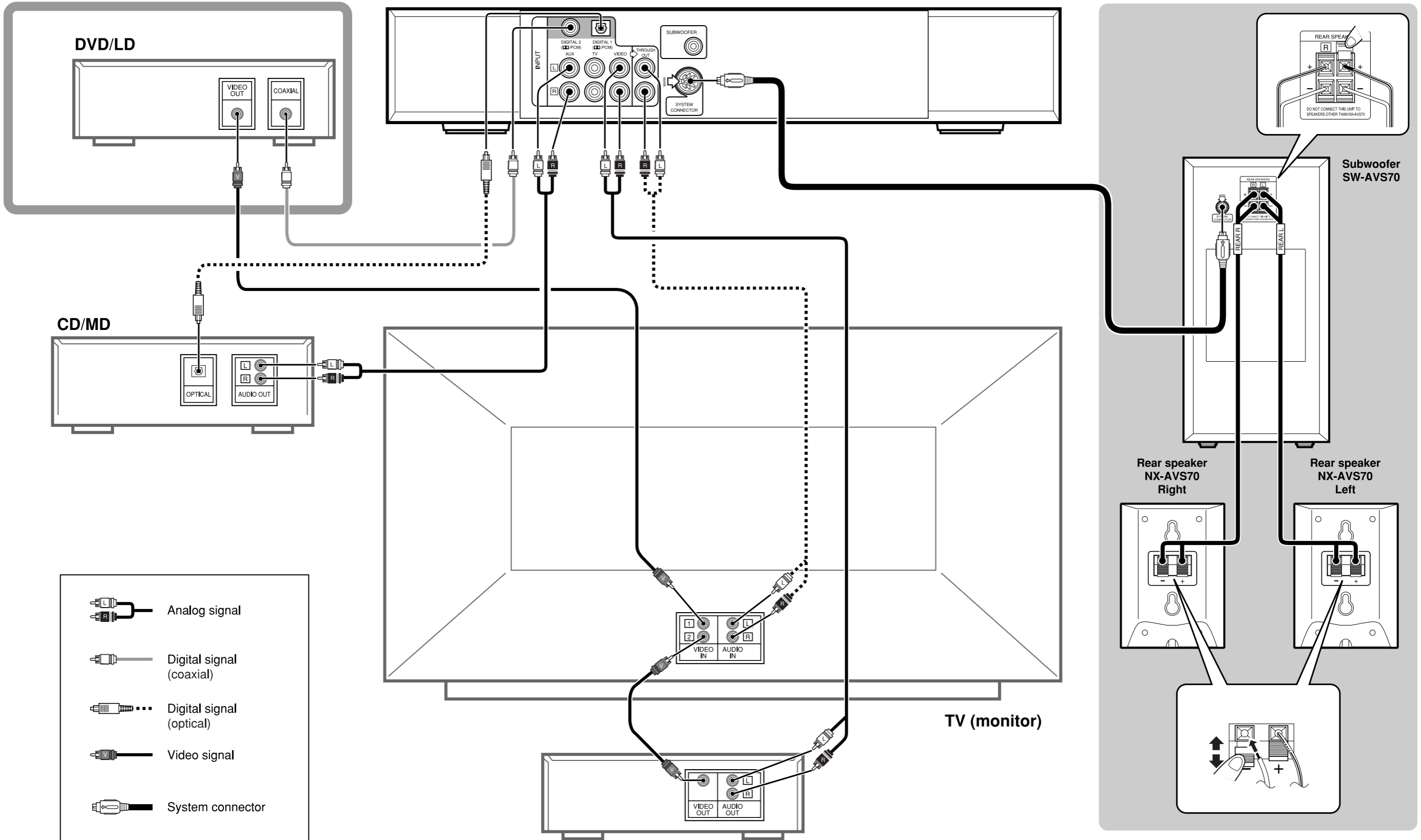
AV-S70 Connection Guide

Connecting to a TV (monitor) without audio output terminals

When enjoying digital audio

Front speaker unit AV-S70

YAMAHA subwoofer and rear speakers
(sold separately) NX-SW70



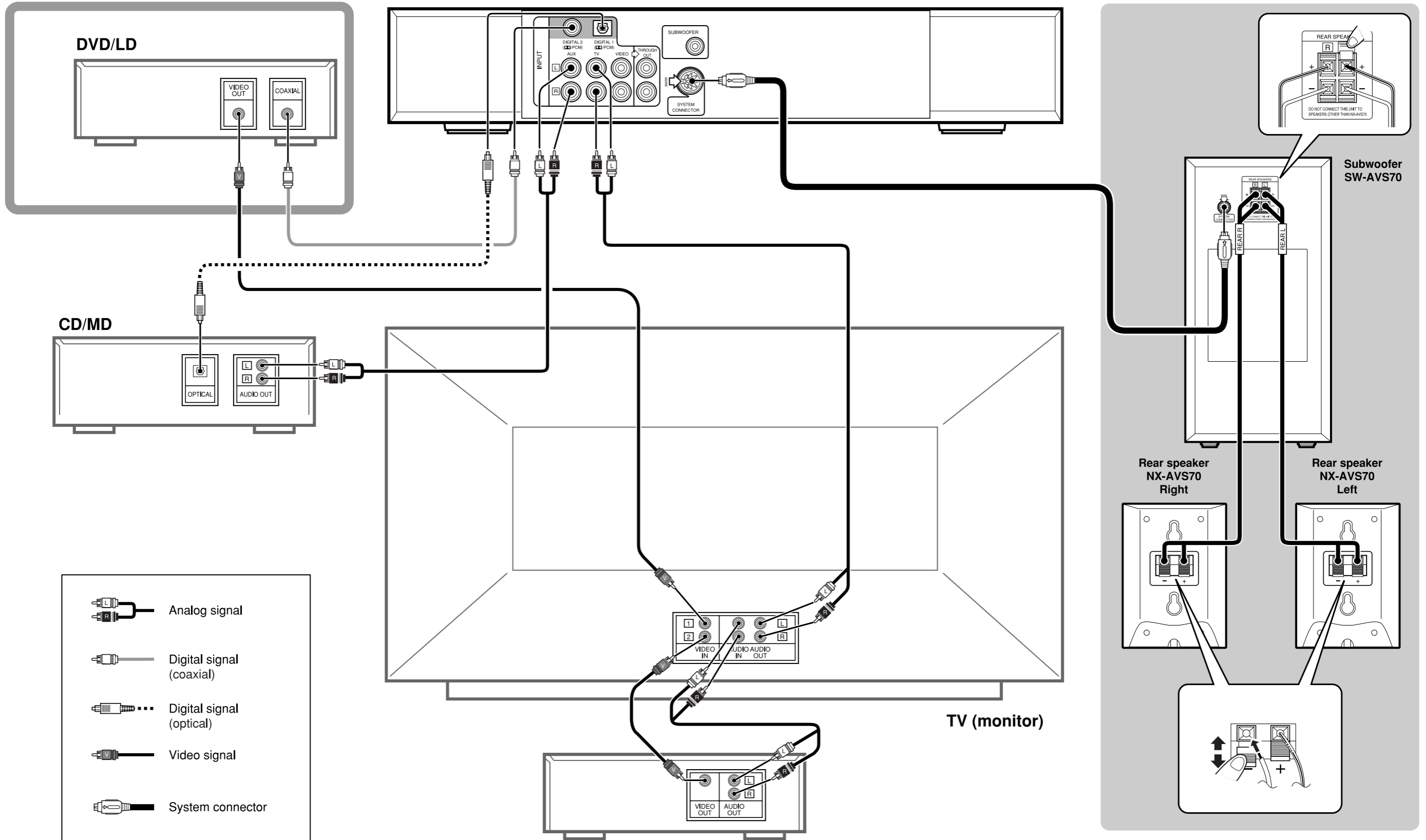
AV-S70 Connection Guide


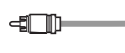



Connecting to a TV (monitor) with audio output terminals

When enjoying digital audio

Front speaker unit AV-S70

YAMAHA subwoofer and rear speakers
(sold separately NX-SW70)



-  Analog signal
-  Digital signal (coaxial)
-  Digital signal (optical)
-  Video signal
-  System connector